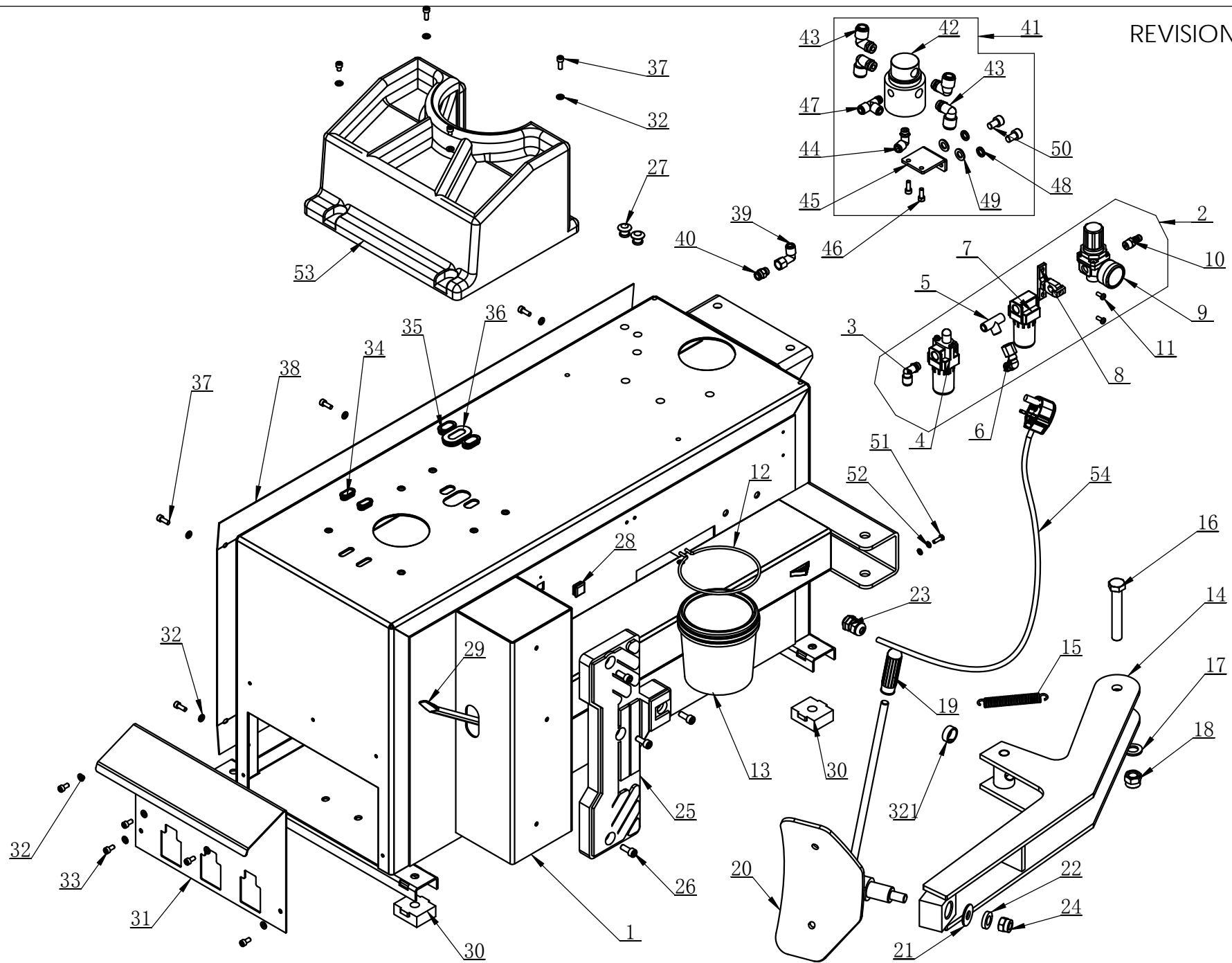


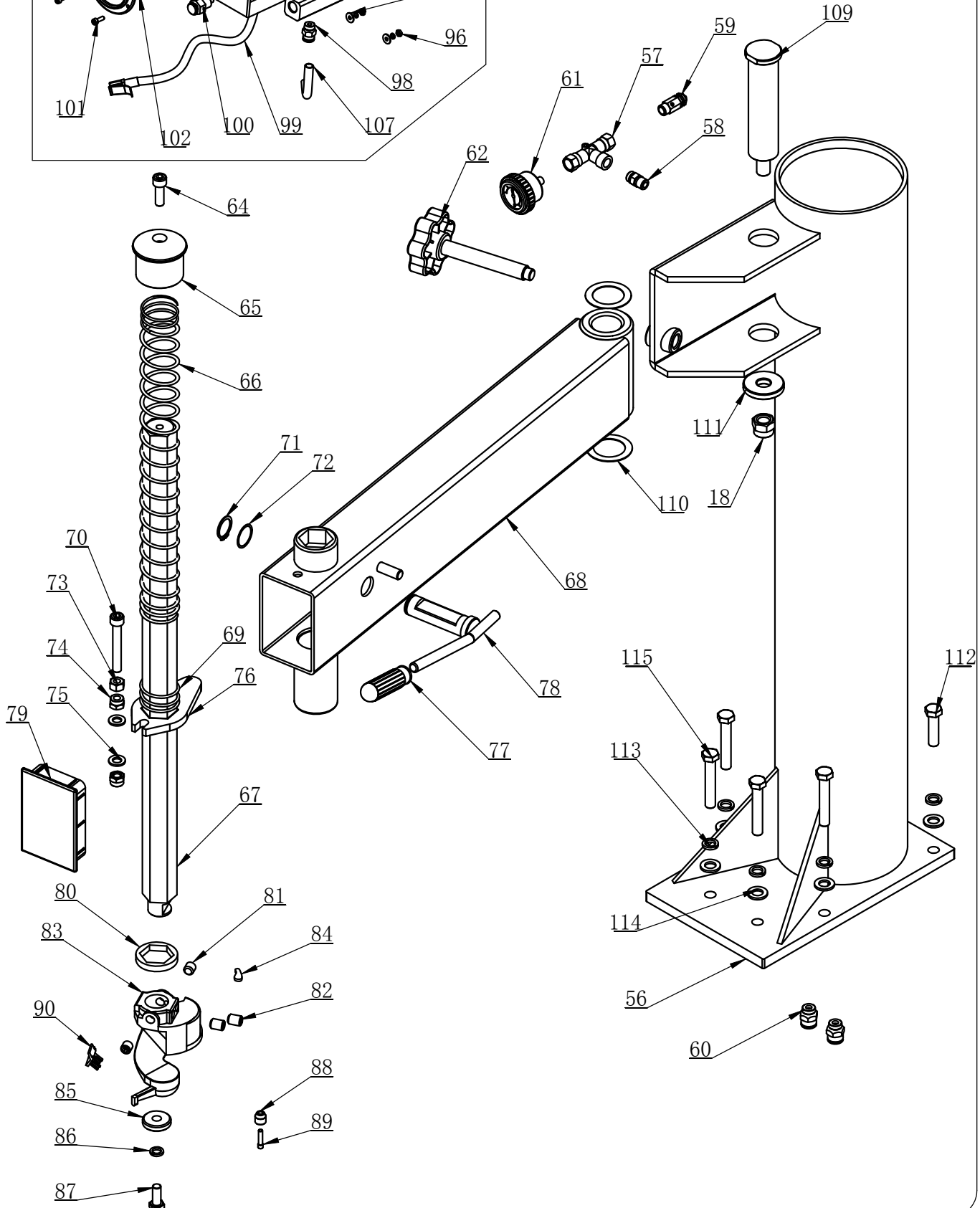
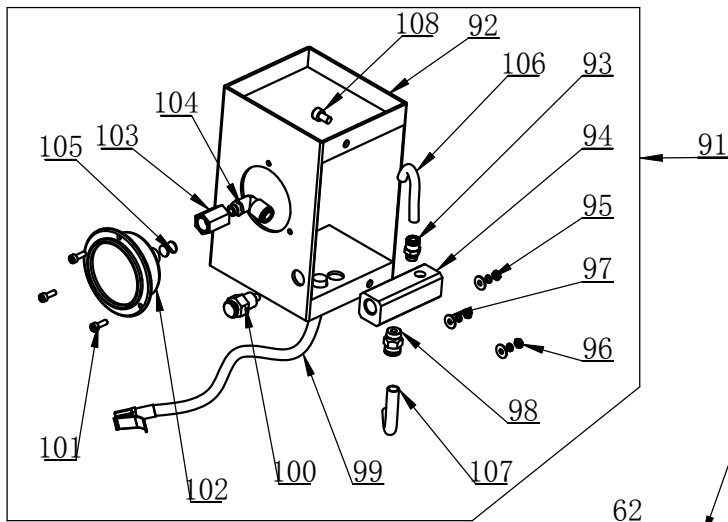
REVISION -A-01

8901T-24F



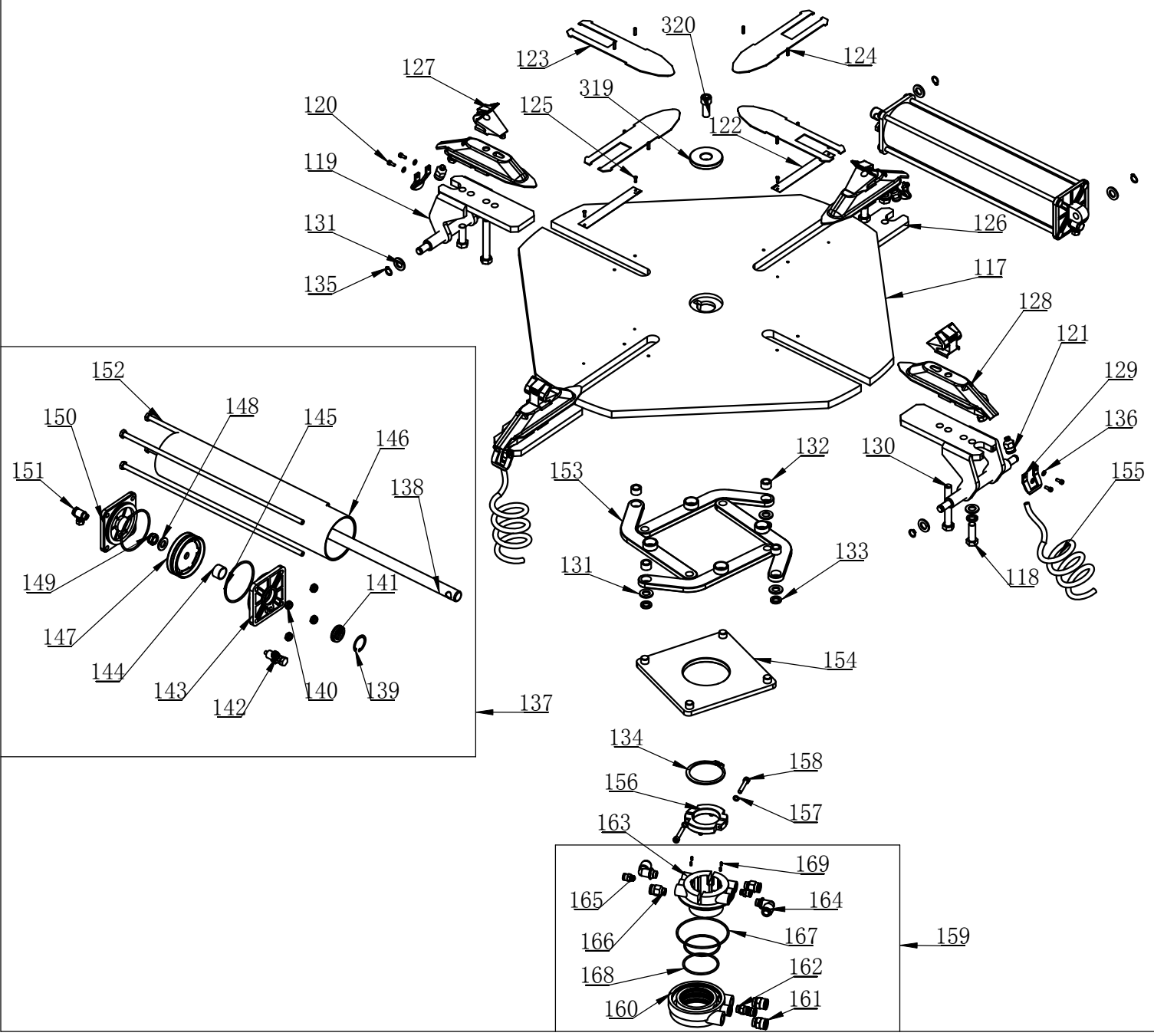
890IT-24F

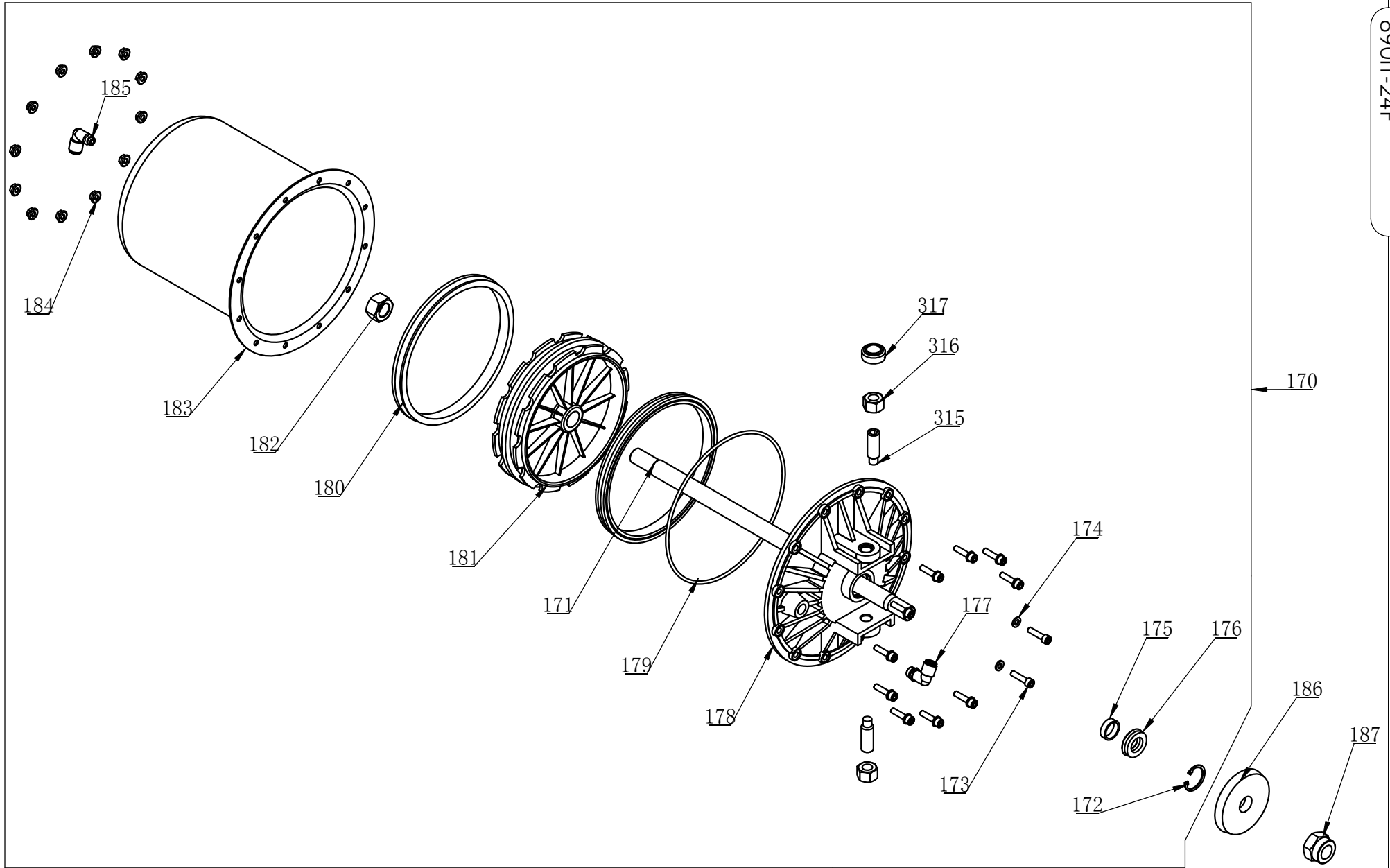
REVISION -A-01

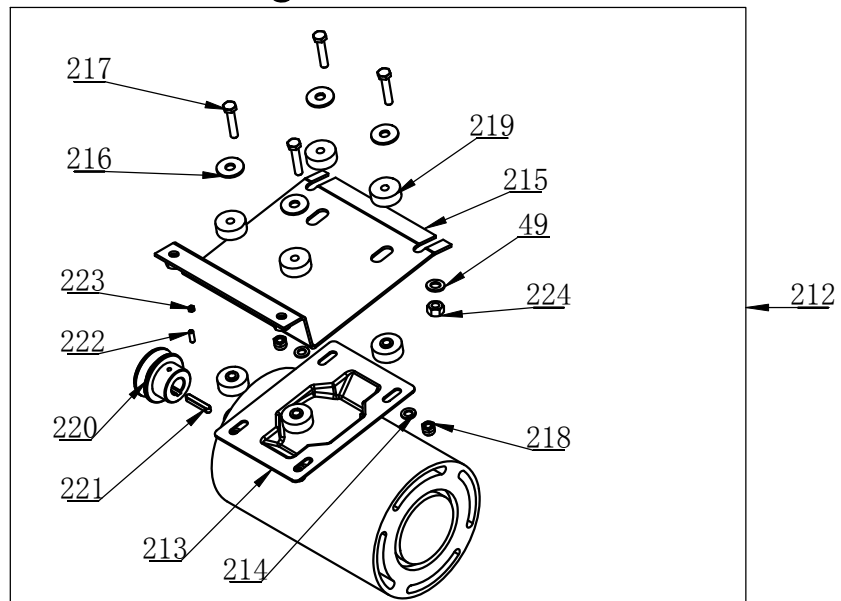
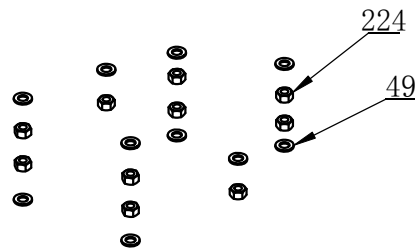
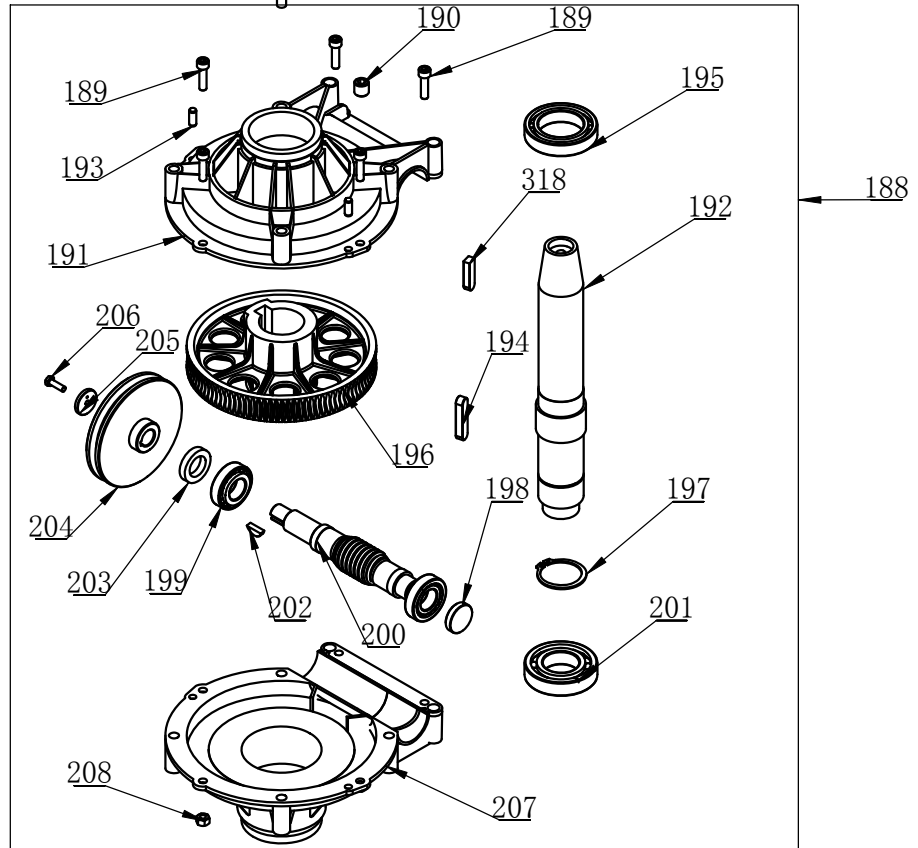
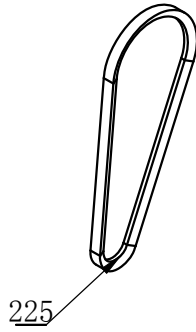
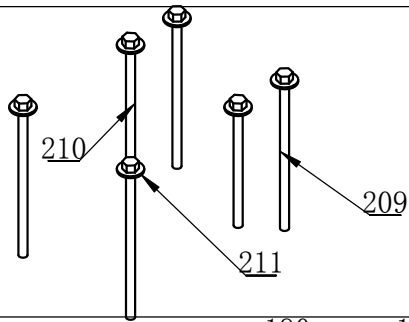


REVISION-A-01

8901T-24F

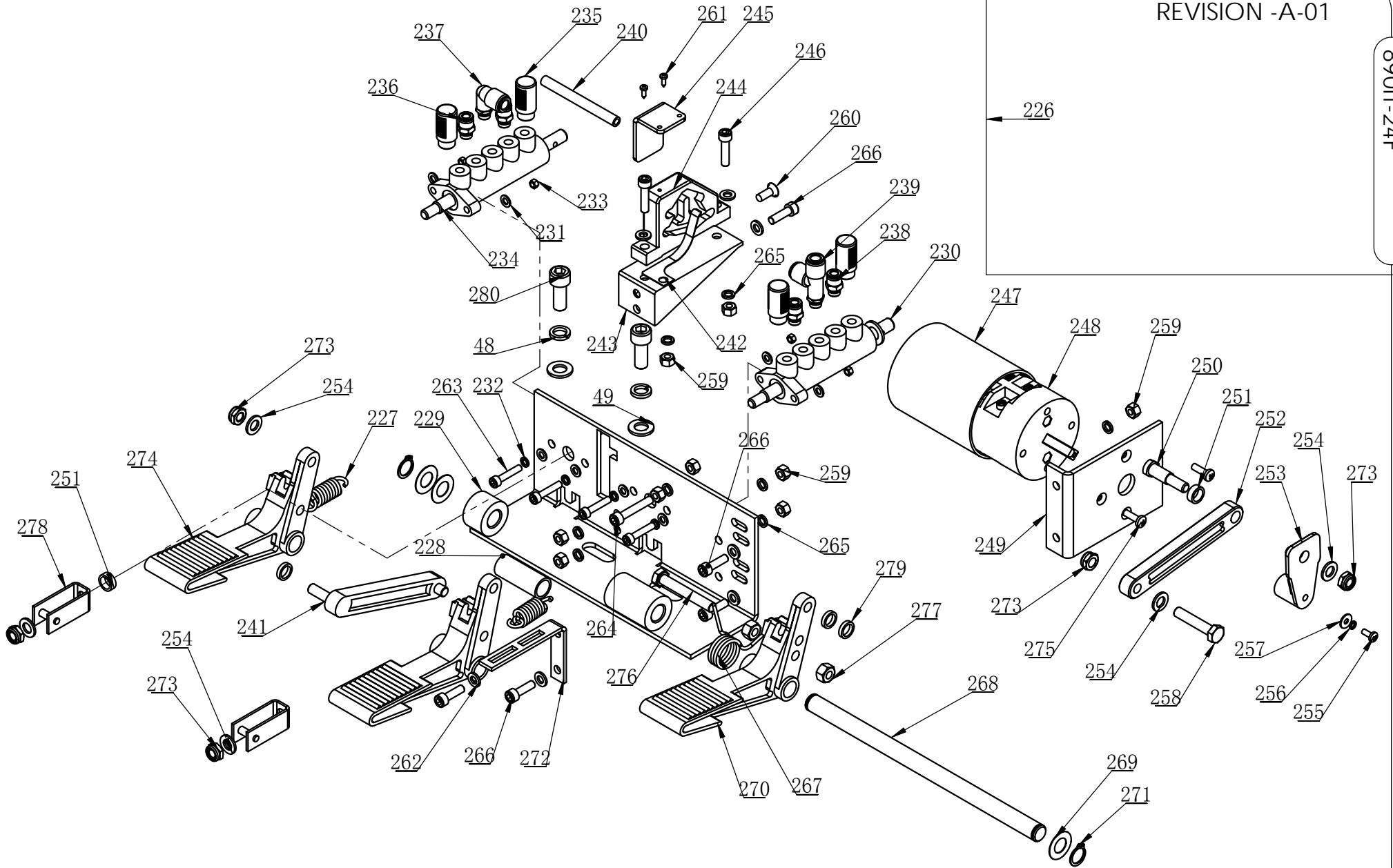






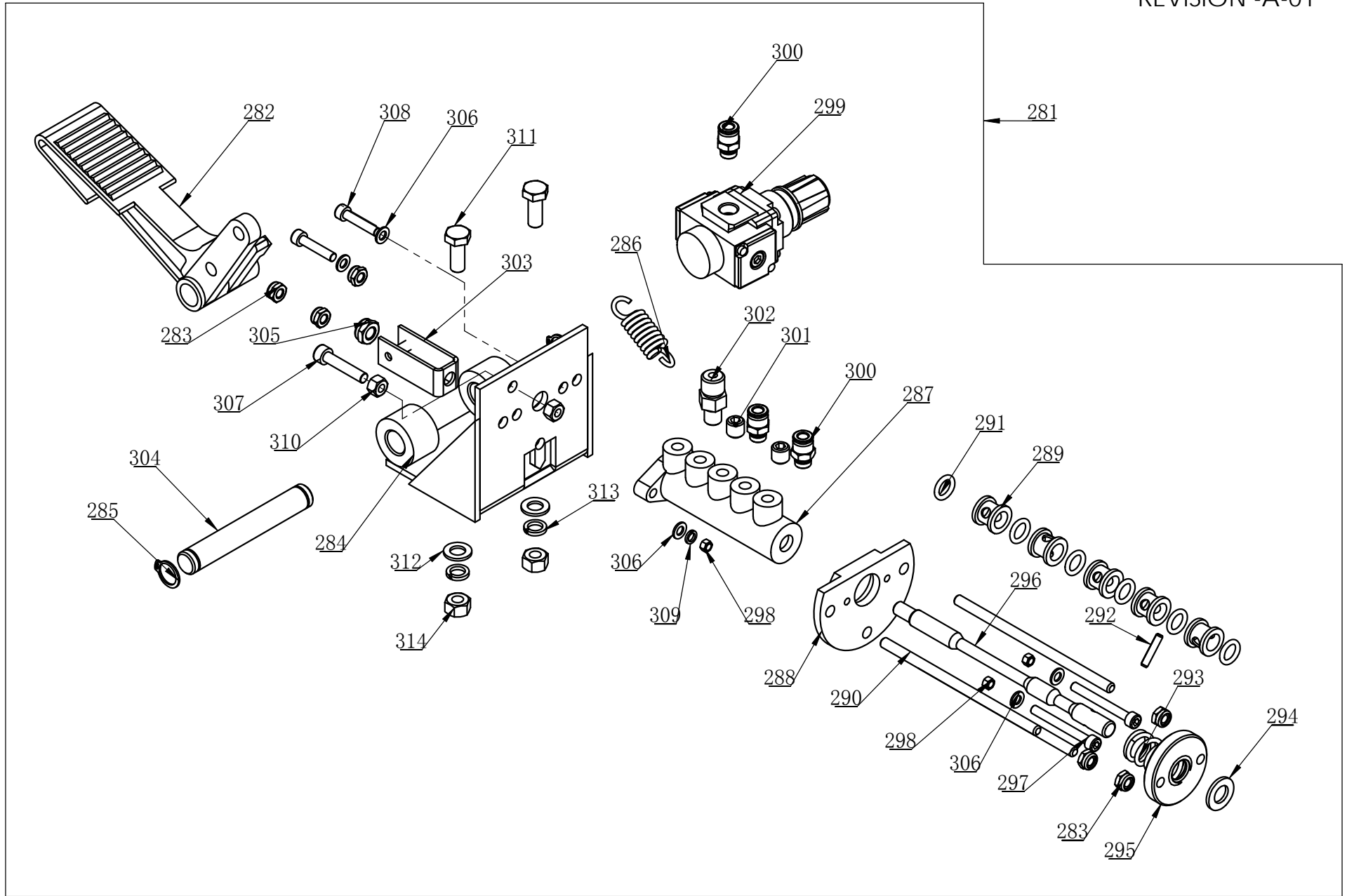
REVISION -A-01

8901T-24F



REVISION -A-01

8901T-24F



ITEM	PART No	DESCRIPTION.
1	6010032	BODY
2	5004096	AIR REGULATOR ASSEMBLY
3	5004083	INSERT ELBOW $\Phi 8$, R1/4"
4	5004087	OIL CUP
5	5004082	TEE R1/4
6	5004065	INSERT ELBOW R1/4, D8
7	5004086	WATER CUP
8	5004085	BRACKET
9	6004514	ADJUSTING VALVE
10	5004079	AIR SUPPLY CONNECTOR
11	5006007	SCREW M5X12
12	5004092	BRACKET
13	5004093	GREASE CONTAINER
14	6000309	BEAD BREAKER
15	6000310	SPRING
16	5010127	BOLT M16X100
17	5010026	WASHER 16
18	5004215	NUT M16
19	6008091	RUBBER COVER
20	6000308	BEAD BREAKER BLADE
21	2010030	WASHER
22	5010091	WASHER 14
23	5502049	CABLE CONNECTOR
24	5010090	NUT M14
25	5004093	RUBBER PAD PLATE
26	5010063	SCREW M8X20
27	5502033	STOP-UP
28	5004103	RUBBER BLOCK
29	5004094	CROWBAR
30	5004102	RUBBER FOOT
31	6010037	PROTECTIVE COVER
32	5000007	WASHER 6
33	5004001	SCREW M6X12-N
34	5509123	STOP UP
35	5509124	STOP UP
36	5509135	STOP UP
37	5009015	SCREW M6X16
38	6005013	SIDE PANEL
39	5004108	TEE 08-U02
40	5004056	INSERT FITTING $\Phi 6$, R1/4
41	6000140	QUICK EXHAUST VALVE ASSY
42	6000330	VALVE ASSEMBLY
43	5004206	INSERT ELBOW $\Phi 12$ R3/8"
44	5004083	INSERT ELBOW $\Phi 8$, R1/4"
45	6002005	VALVE BRACKET
46	5009015	SCREW M6X16
47	5004207	FITTING $\Phi 8$, R1/4"

ITEM	PART No	DESCRIPTION.
48	5010006	WASHER 10
49	5004221	WASHER 10
50	5010087	SCREW M10X16
51	5006042	BOLT M5X16
52	5010045	WASHER 5
53	5502047	TOOL BOX
54	5009068	CABLE
55	6005012	VERTICAL COLUMN
56	6005067	VERTICAL COLUMN
57	5004211	TEE G1/4"
58	5004101	DOUBLE SCREW R1/4
59	5009072	SAFE VALVE
60	5004109	INSERT FITTING R3/8" $\Phi 1$
61	5004211	PRESSURE GAUGE
62	5502048	HANDLE WHEEL
63	6010034	SWING ARM
64	5000033	SCREW M10X30
65	5004200	VERTICAL SHAFT COVER
66	5502051	VERTICAL SHAFT SPRING
67	6010041	HEXAGON SHAFT
68	6010040	SWING ARM
69	5502052	VERTICAL SHAFT SPRING
70	5000034	SCREW M10X70
71	5002030	CIRCLIP 25
72	6010049	ADJUSTING WASHER
73	5010004	NUT M10
74	5006001	NUT M10
75	5004037	WASHER 10
76	5502053	HEXAGON LOCK PLATE
77	6008091	RUBBER COVER
78	6010042	LOCK HANDLE
79	5502054	DECORATING COVER
80	5004115	SHOCK ABSORBER WASHER
81	5004021	SCREW M12X12-N
82	5004023	SCREW M12X16-N
83	5004118	DEMOUNTING HEAD
84	5502044	PLASTIC COVER
85	5004201	PRESS WASHER
86	5010006	WASHER 10
87	5004020	BOLT M10X25
88	5004117	ROLLER
89	5004116	ROLLER BOLT
90	5509015	SHEATH
91	6000306	INFLATOR COVER ASSEMBLY
92	6002007	PRESSURE GAUGE COVER
93	5002065	INSERT FITTING $\Phi 8$, R1/8
94	5509127	AIR DISTRIBUTING VALVE

ITEM	PART No	DESCRIPTION.
95	5000068	WASHER 4
96	5000063	NUT M4
97	5004049	WASHER 4
98	5004056	INSERT FITTING $\Phi 8$, R1/4
99	5004202	INFLATING HOSE
100	6002009	EXHAUST VALVE ASSEMBLY
101	5010083	SCREW M4X12
102	5004203	PRESSURE GAUGE
103	6002013	CONNECT NUT
104	5004050	INSERT ELBOW $\Phi 8$, R1/8"
105	6000404	WASHER 6
106	5509129	PU HOSE $\Phi 8 \times 5$
107	5509128	PU HOSE $\Phi 8 \times 5$ 200mm
108	5004220	SCREW M6X10-N
109	6010035	VERTICAL SHAFT
110	6008962	WASHER
111	6010036	SHAFT WASHER
112	5010099	BOLT M12X45
113	5010025	WASHER 12
114	5010020	WASHER 12
115	5004212	BOLT M12X75
116	6000301	TURNTABLE ASSEMBLY
117	6000302	6000302TURNTABL TURNTABL
118	5002079	BOLT M12X35
119	6008964	CYLINDER BRACKETCYLINDER BRACKE
120	5010037	SCREW M4X10
121	5010036	INSERT FITTING D10, R1/8
122	6000157	SCALE
123	6000089	WEARABLE WASHER
124	5010038	PIN 4X14
125	5010039	NAME PLATE 3X10
126	6000139	PRESS PLATE
127	6000107	CLAMP
128	6000170	SLIDE COVER
129	6000156	PROTECTION COVER
130	5002080	BOLT M12X85
131	5010020	WASHER 12
132	6000109	SPACER
133	5010025	WASHER 12
134	5010030	CIRCLIP 65
135	5010061	CIRCLIP 12X1
136	5010040	WASHER 4
137	6000040	CYLINDER ASSEMBLY D80X35
138	6000043	SHAFT-CLYDR
139	5010024	CIRCLIP 30
140	5010003	NUT M8
141	6000044	SEALED RING

ITEM	PART No	DESCRIPTION.
142	6000010	HINGE TEE
143	6000045	CYLINDER FRONT COVER
144	6000008	BEARING-SLIDE
145	5010027	O RING 75x2.65
146	6000041	CYLINDER 80MM
147	6000047	PISTON
148	5000021	WASHER 12
149	5010022	NUT M12
150	6000046	CAP-BASE, CYLNDR
151	6000009	HINGE ELBOW $\Phi 8$
152	6000042	BOLT
153	6000129	CONNECTION PLATE
154	6000136	SQUARE TURNTABLE
155	5508221	SCREW HOSE
156	6000618	CLAMP RING
157	5010058	WASHER 6
158	5004031	SCREW M6X35
159	6000321	AIR GUIDER ASSEMBLY
160	6000082	AIR GUIDE EXTERNAL BUSHIN
161	5004109	INSERT FITTING R3/8" $\Phi 1$
162	5004056	INSERT FITTING $\Phi 6$, R1/4
163	6000083	AIR GUIDE ROTATION BUSHIN
164	6000084	INSERT ELBOW d10. 1/4"
165	5010060	INSERT FITTING $\Phi 6$, R1/8
166	6000018	INSERT FITTING d10, 1/4"
167	5010151	O-RING 90x2.65
168	5010231	RING 60X2.65
169	5009063	SCREW M3X6
170	6000016	BEAD BREAKER CYLINDER ASS
171	6000282	SHAFT-CLYNDR, 445
172	5010105	CIRCLIP 30
173	5006006	SCREW M6X25
174	5000007	WASHER 6
175	5010204	GUIDER SPACER
176	5010203	Y-RING
177	5004083	INSERT ELBOW $\Phi 8$, R1/4"
178	6000299	CYLINDER COVER
179	5010097	O-RING 185x3.55
180	5010202	Y-RING
181	6000279	PISTON
182	5010114	NUT M18X1.5
183	6000280	CYLINDER BODY
184	5010042	NUT M6
185	5004050	INSERT ELBOW $\Phi 8$, R1/8"
186	5004073	RUBBER PLATE
187	5004111	NUT M18X1.5
188	6000270	GEARBOX ASSEMBLY

ITEM	PART No	DESCRIPTION.
189	5004060	SCREW M8X30-N
190	5010078	SCREW M16X1.5X15
191	6000353	GEARBOX UPPER COVER
192	6000277	WORM SHAFT
193	5004208	PIN 8X20
194	5010111	PLAIN KEY 12X55
195	5010002	ROLLING BEARING 6010
196	6000276	WORM WHEEL
197	5010001	CIRCLIP 50
198	6000355	CAP 40X25X8
199	5000015	ROLLING BEARING 30205
200	6000273	WORM ROD
201	5010076	ROLLING BEARING 6208
202	5002086	PLAIN KEY 6X9X22
203	5010208	SEALED RING
204	6000275	BELT PULLEY
205	5010210	CIRCLIP 30
206	5004229	BOLT M6X20
207	6000356	GEARBOX BOTTOM COVER
208	5002060	NUT M8
209	5004006	BOLT M10X200
210	5004004	BOLT M10X160
211	5004005	WASHER 10
212	6008954	MOTOR ASSEMBLY
213	6008955	MOTOR AC110V-60Hz
214	5000018	WASHER 8
215	6000182	MOTOR SUPPORT
216	5004005	WASHER 10
217	5004016	BOLT M8X40
218	5010092	NUT M8
219	6000183	RUBBER WASHER
220	6000184	MOTOR BELT PULLEY
221	5010056	PLAIN KEY 6X36
222	5010232	SCREW M5X16
223	5011008	NUT M5
224	5010004	NUT M10
225	5502039	BELT A26
226	6000200	PEDAL ASSEMBLY
227	6000216	SPRING
228	6000208	SPACER
229	6000221	PEDAL SUPPORT
230	6000227	VALVE-A
231	5010045	WASHER 5
232	5004045	WASHER 5
233	5011008	NUT M5
234	6000222	VALVE-B
235	5010047	MUFFLER Φ 8 R1/8 "

ITEM	PART No	DESCRIPTION.
236	5010060	INSERT FITTING Φ 6, R1/8
237	5004050	INSERT ELBOW Φ 8, R1/8"
238	5002065	INSERT FITTING Φ 8, R1/8
239	5010059	FITTING-TEE Φ 8, R1/8"
240	5010049	HOSE 8-5MM
241	6000226	VALVE CONNECTING ROD
242	6000204	FORK SPRING PLATE
243	6000201	CAM BRACKET
244	6000211	CAM
245	6000217	CAM PLATE
246	5006006	SCREW M6X25
247	6000215	SWITCH COVER
248	5010055	SWITCH
249	6000213	SWITCH SUPPORT
250	6000209	ROTATION SHAFT
251	6000205	SPACER
252	6000210	CONNECTION ROD
253	6000212	REVERSE LEVER 6
254	5000018	WASHER 8
255	5008030	SCREWS M4 \times 10
256	5000068	WASHER 4
257	5004049	WASHER 4
258	5004036	BOLT M8X40
259	5004008	NUT M6
260	5011003	SCREW M6X16
261	5010057	SCREW ST2.9X9.5
262	5000007	WASHER 6
263	5004063	SCREW M5X25-N
264	5004031	SCREW M6X35
265	5010058	WASHER 6
266	5004032	SCREW M6X20-N
267	6000220	TORSION SPRING
268	6000207	BOTTOM SHAFT
269	6000228	WASHER-12x0.5
270	6000391	PEDAL
271	5010053	CIRCLIP 14
272	6000203	TORSION SPRING BRACKET
273	5010003	NUT M8
274	6000214	PEDAL
275	5002059	SCREW M5X16
276	5011005	BOLT M8X55
277	5002060	NUT M8
278	6000398	BRACKET
279	6008937	SPACER
280	5010064	SCREW M10X25
281	6000285	QUICK INFLATION PEDAL ASS
282	6000293	PEDAL

